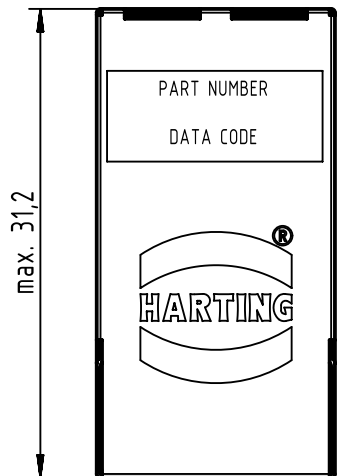


Mating face
acc. to IEC 60603-7

Light pipe



max. 31,2

PART NUMBER
DATA CODE

HARTING

Material:

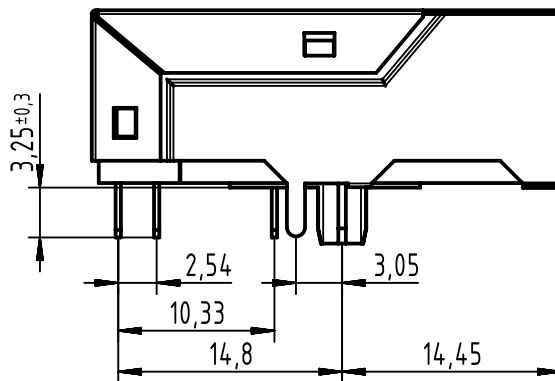
Housing material: POLYESTER or HIGH Temp UL94V-0
Shield material: 0.25mm THICKNESS BRASS Plating Nickel
Contact material: Phosphor Bronze T=0.30mm
Plating contact: gold plating over nickel

Technical data:

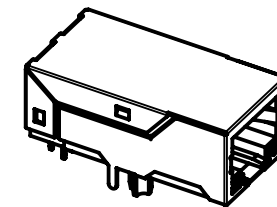
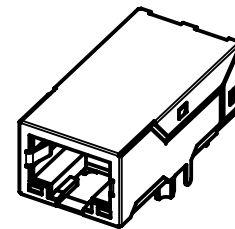
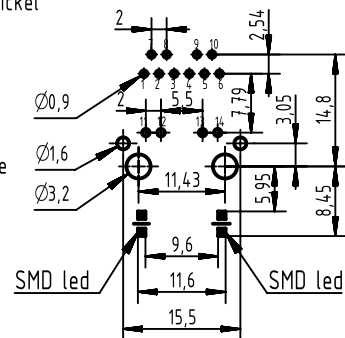
In accordance with IEEE 802.3u & TIA 1096A
For 10/100/1000 base transmission over UTP-5 cable
Storage: -40°C to 85°C
Operation: -25°C to 70°C
Operating lifetime: 750 cycles min

Packaging:

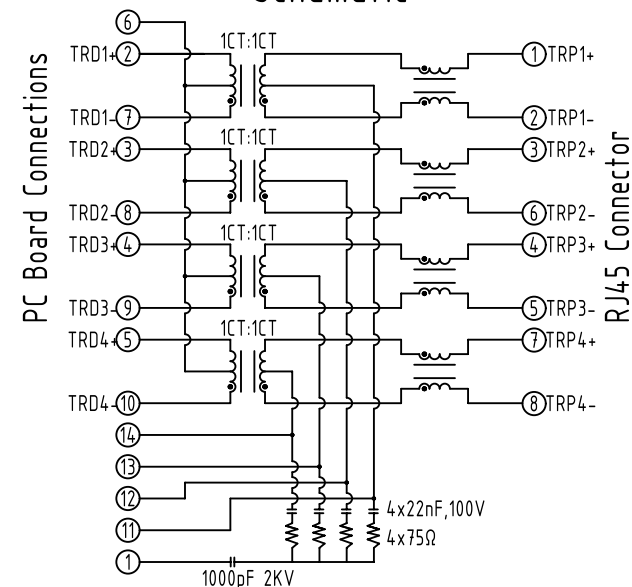
56 pieces per tray and 13 trays per carton



JACK LAYOUT

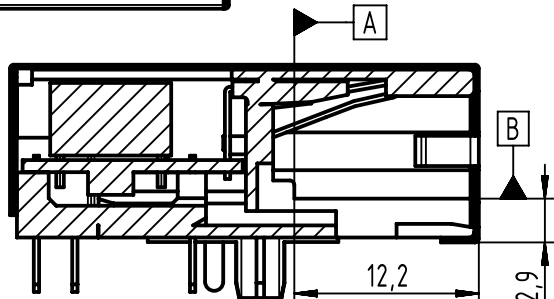


Schematic



High/Low Pass Filter
Schematic on PC Board

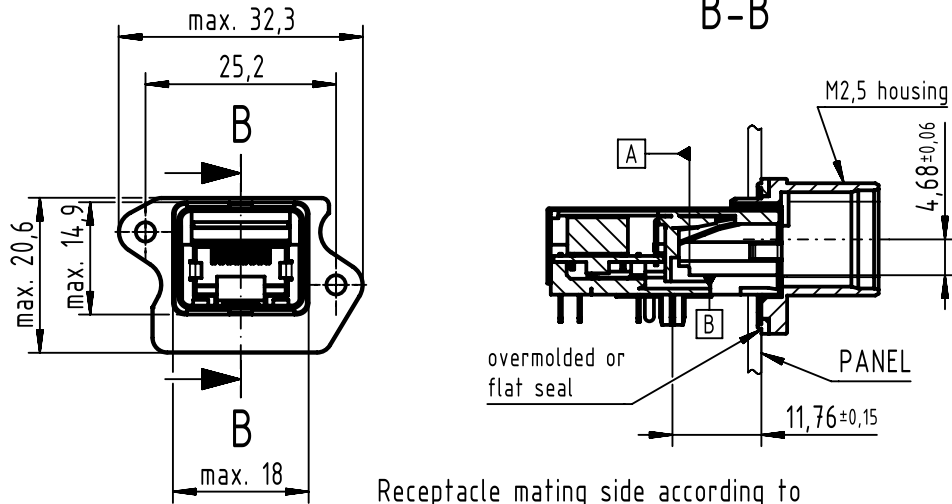
A-A



	All Dimensions in mm Original Size DIN A4		Scale 2:1	Free size tol.		Ref. Sub.	
	All rights reserved Department EC PD - RO		Created by TAMAS	Inspected by AVRAM	Standardisation HOFFMANN	Date 2016-02-18	State Final Release
HARTING Electronics GmbH D-32339 Espelkamp			Title RJ45 jack 1Gbit LV PoE			Doc-Key / ECM-Nr. 100656704/UGD/001/A 500000100319	
			Type TB	Number 09455511541		Rev. A	Page 1/4

MOUNTING INSTRUCTIONS FOR HARTING PUSHPULL
COMPACT RECEPTACLE HOUSING

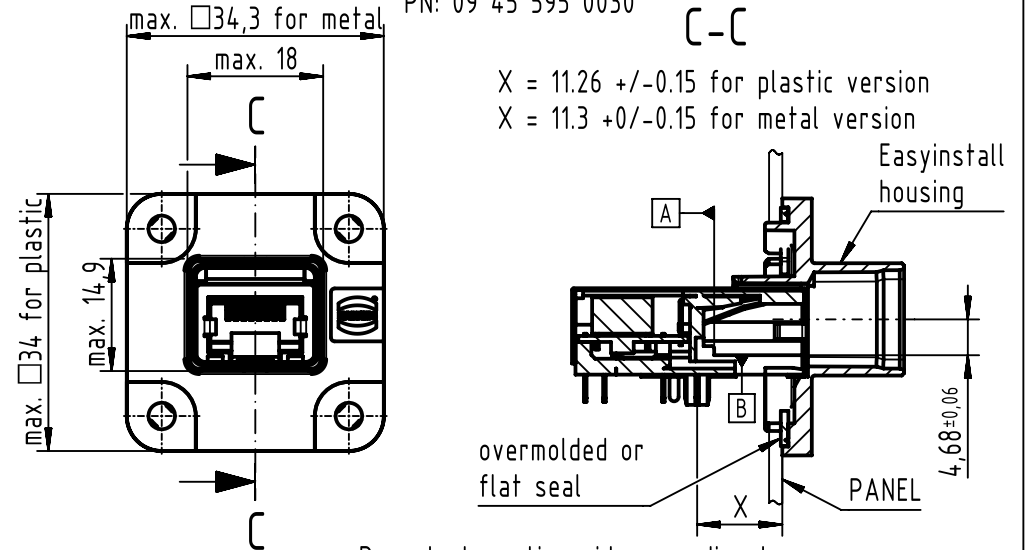
PN: 09 45 545 0023
PN: 09 45 545 0033



Receptacle mating side according to
IEC 61076-3-106 variant 4

MOUNTING INSTRUCTIONS FOR HARTING PUSHPULL
EASYINSTALL RECEPTACLE HOUSINGS

PN: 09 45 545 0030
PN: 09 45 595 0030



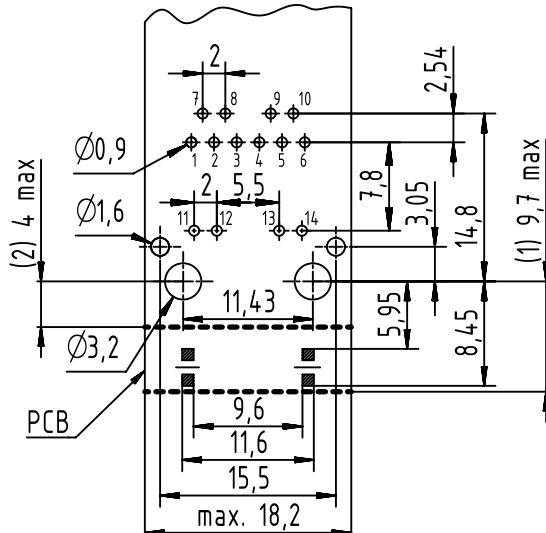
Receptacle mating side according to
IEC 61076-3-106 variant 4

PCB board Layout

PCB thickness: 1.6mm +/-0.1

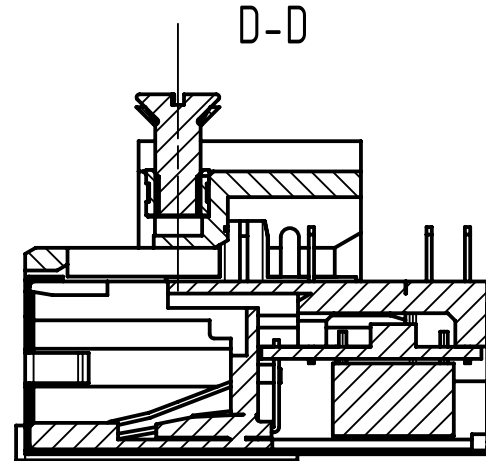
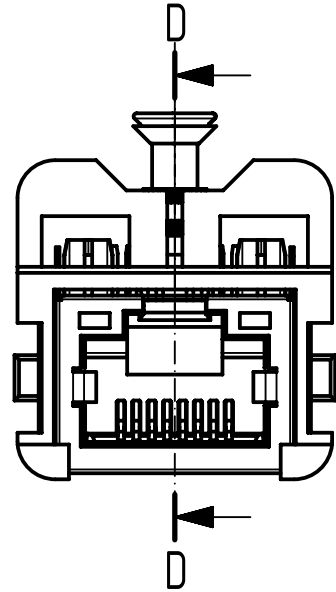
(1) maxi PCB front side position if SMD LED used
If LED used, maxi panel thickness for Pushpull compact
receptacle housing, is 1.5mm

(2) maxi PCB front side position if SMD led NOT used



	All Dimensions in mm Original Size DIN A4		Scale 1:1	Free size tol.		Ref.	
			Created by TAMAS	Inspected by AVRAM	Standardisation HOFFMANN	Date 2016-02-18	State Final Release
All rights reserved Department EC PD - RO		Title RJ45 jack 1Gbit LV PoE				Doc-Key / ECM-Nr. 100656704/UGD/001/A 500000100319	
HARTING Electronics GmbH D-32339 Espelkamp		Type TB	Number 09455511541			Rev. A	Page 2/4

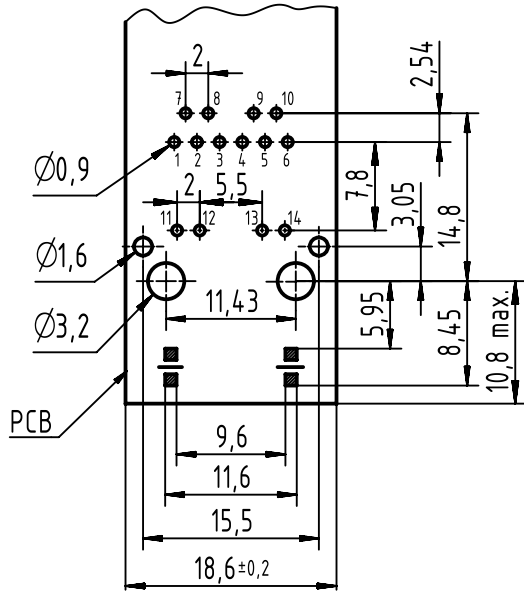
MOUNTING INSTRUCTION FOR HAN 3A RJ45 HOUSING
 WITH HAN 3A ADAPTER WITHOUT FIXING CLIPS
 09 45 515 0022



0
 (no air gap)

Receptacle mating side according to
 IEC 61076-3-106 variant 5

PCB board Layout



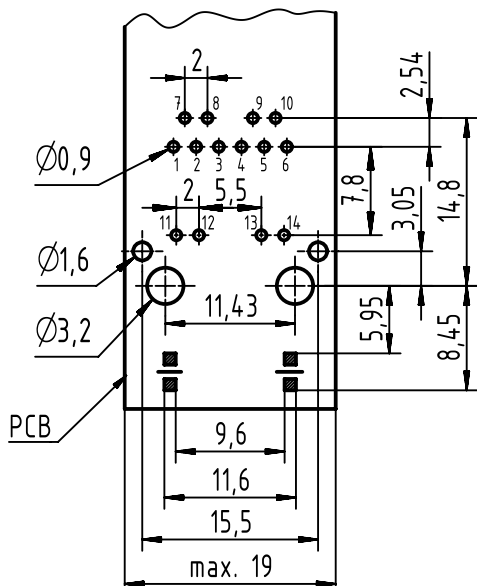
PCB thickness: 1.6mm +/-0.1

	All rights reserved Department EC PD - RO	All Dimensions in mm Original Size DIN A4			Scale 2:1	Free size tol.	Ref.	
					Created by TAMAS	Inspected by AVRAM	Standardisation HOFFMANN	Date 2016-02-18
HARTING Electronics GmbH D-32339 Espelkamp		Title RJ45 jack 1Gbit LV PoE					Doc-Key / ECM-Nr. 100656704/UGD/001/A 500000100319	
		Type TB	Number 09455511541			Rev. A	Page 3/4	

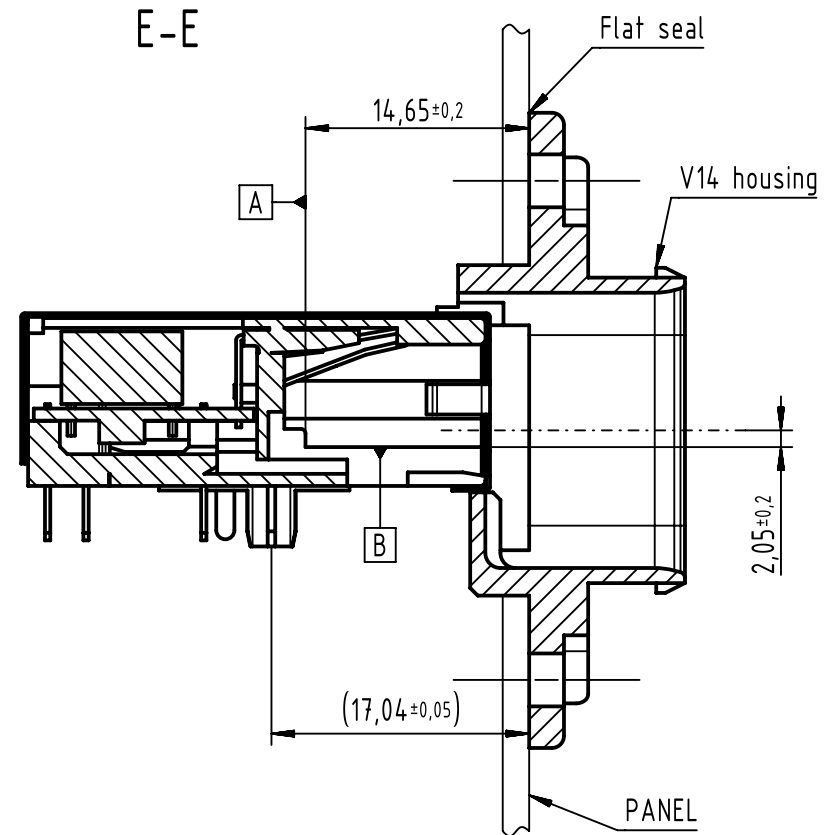
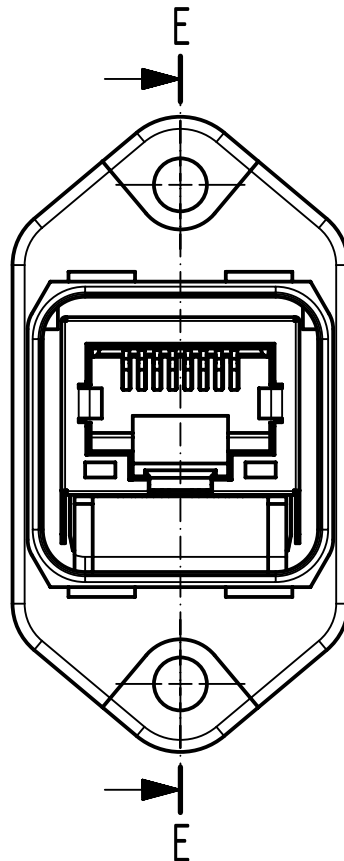
MOUNTING INSTRUCTION FOR HAN PUSHPULL RJ45 HOUSING
09 35 002 0301


Receptacle mating side according to
DIN EN 61076-3-117

PCB board Layout



PCB thickness: 1.6mm +/-0.1



	All rights reserved Department EC PD - RO	Scale 2:1 Free size tol.		Ref. Sub.	
		Created by TAMAS Inspected by AVRAM Standardisation HOFFMANN	Date 2016-02-18 State Final Release	Title RJ45 jack 1Gbit LV PoE Doc-Key / ECM-Nr. 100656704/UGD/001/A 500000100319	
HARTING Electronics GmbH D-32339 Espelkamp		Type TB	Number 09455511541	Rev. A	Page 4/4